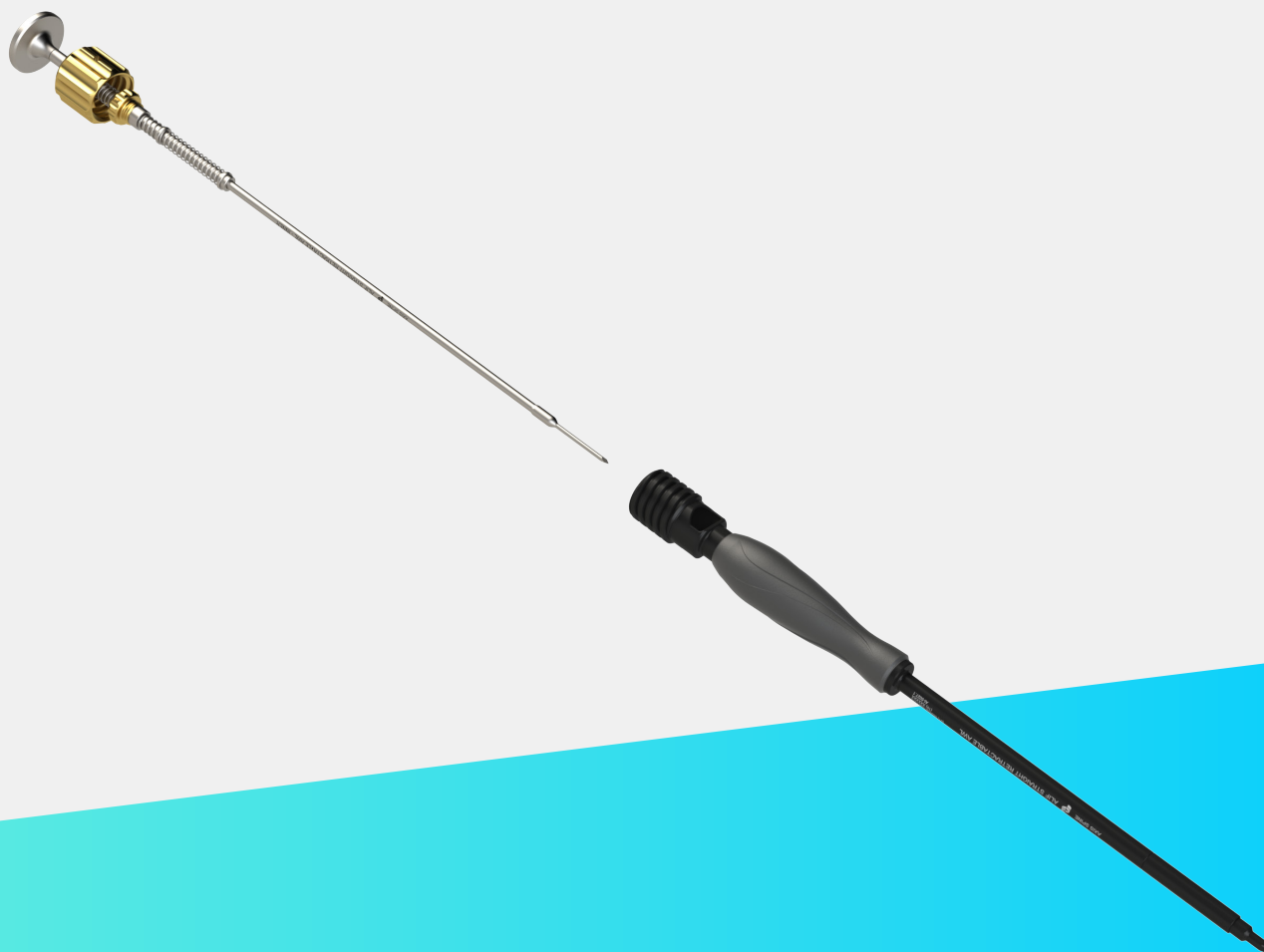


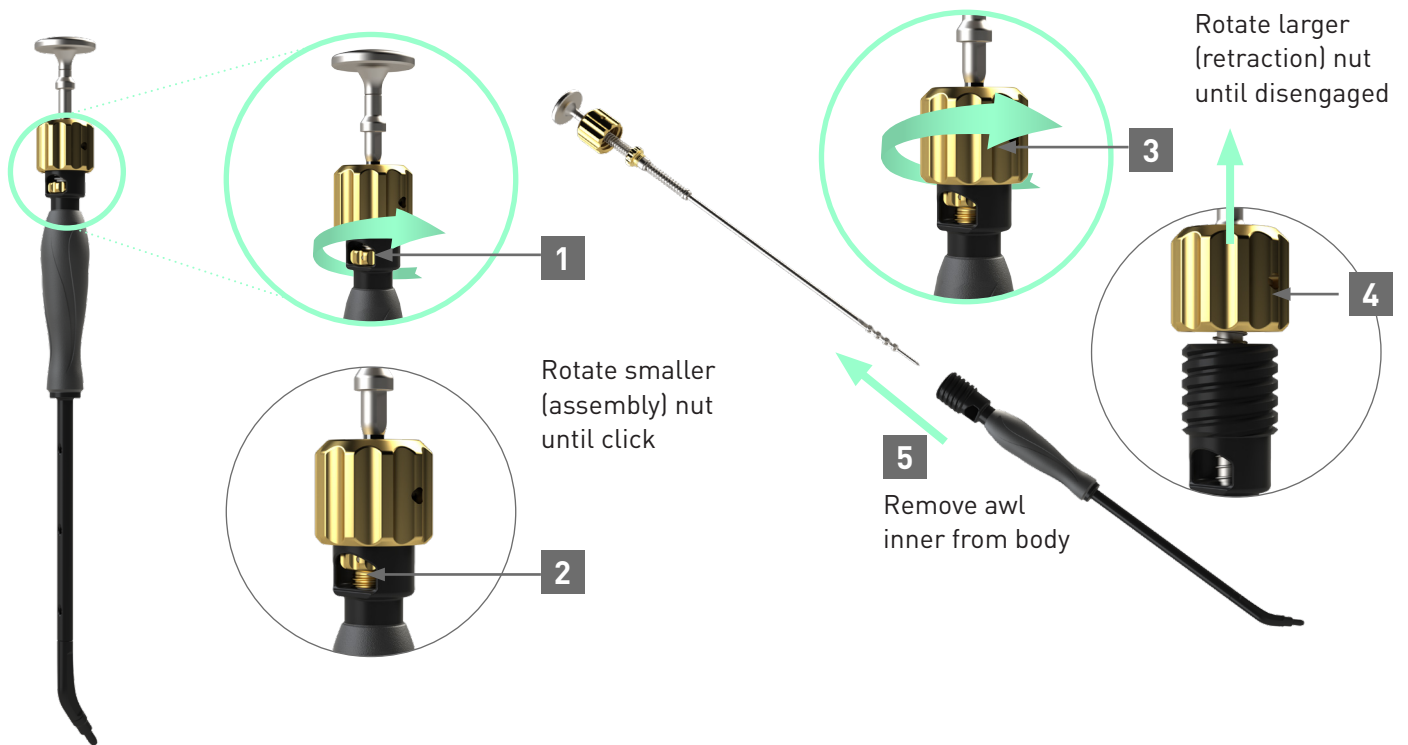
Axis-ALIF

Anterior Lumbar Interbody Fusion System

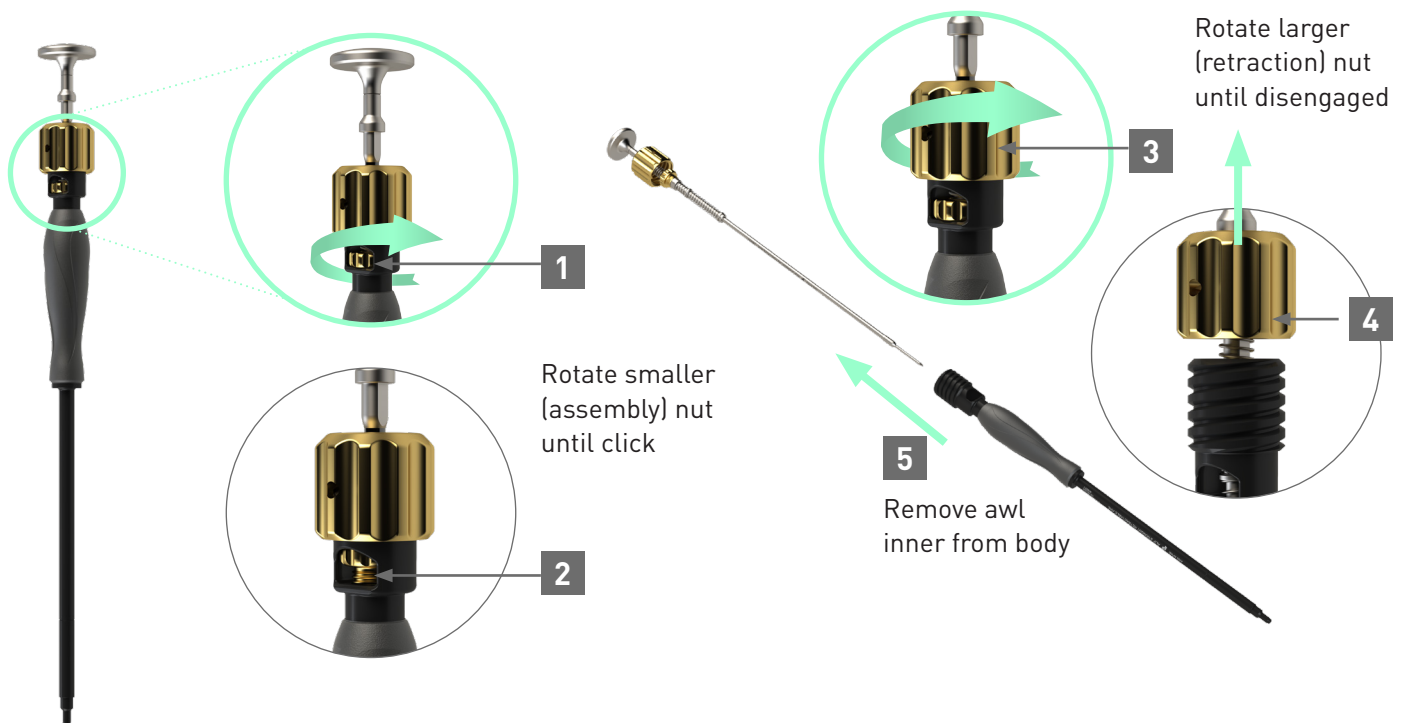
DISASSEMBLY INSTRUCTIONS



Angled Retractable Awl (AI-5025.X)



Straight Retractable Awl (AI-5027.X)





Serviced through:

Kuro by One Life Sciences, Inc.
4976 Highway 169 N.
Minneapolis, MN 55428, USA
+1 (612) 234-5174

logistics@axispinetech.com
axispinetech.com

AA-03-0002 Rev. A

Manufactured by:

Axis Spine Technologies Ltd.
Century Offices, 2175 Century Way
Thorpe Park, Leeds, LS15 8ZB
United Kingdom

Axis Spine Technologies Design and the Axis Spine Logo
are registered trademarks of Axis Spine Technologies Ltd.

© Axis Spine Technologies Ltd. 2024.
All rights reserved.