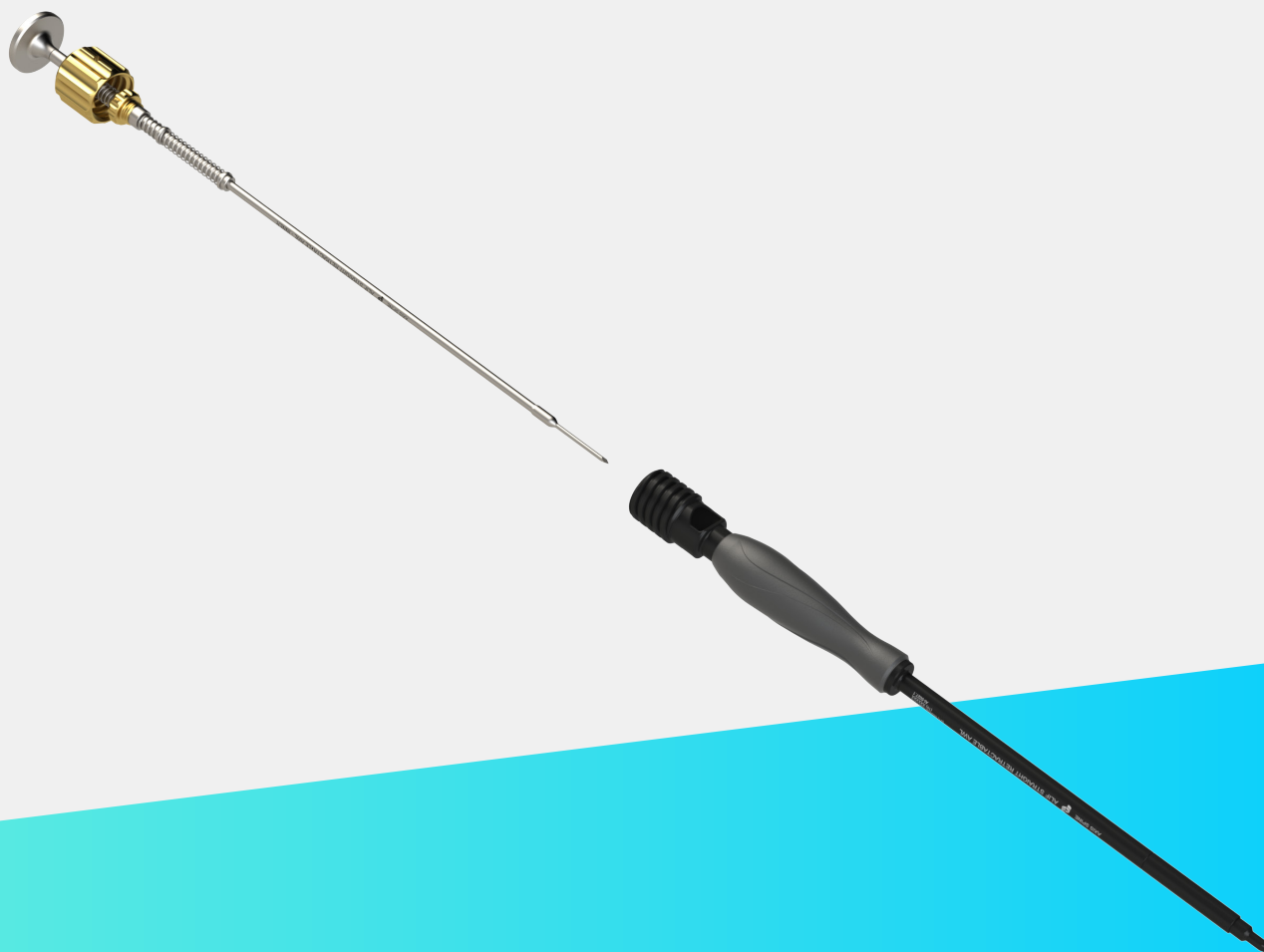


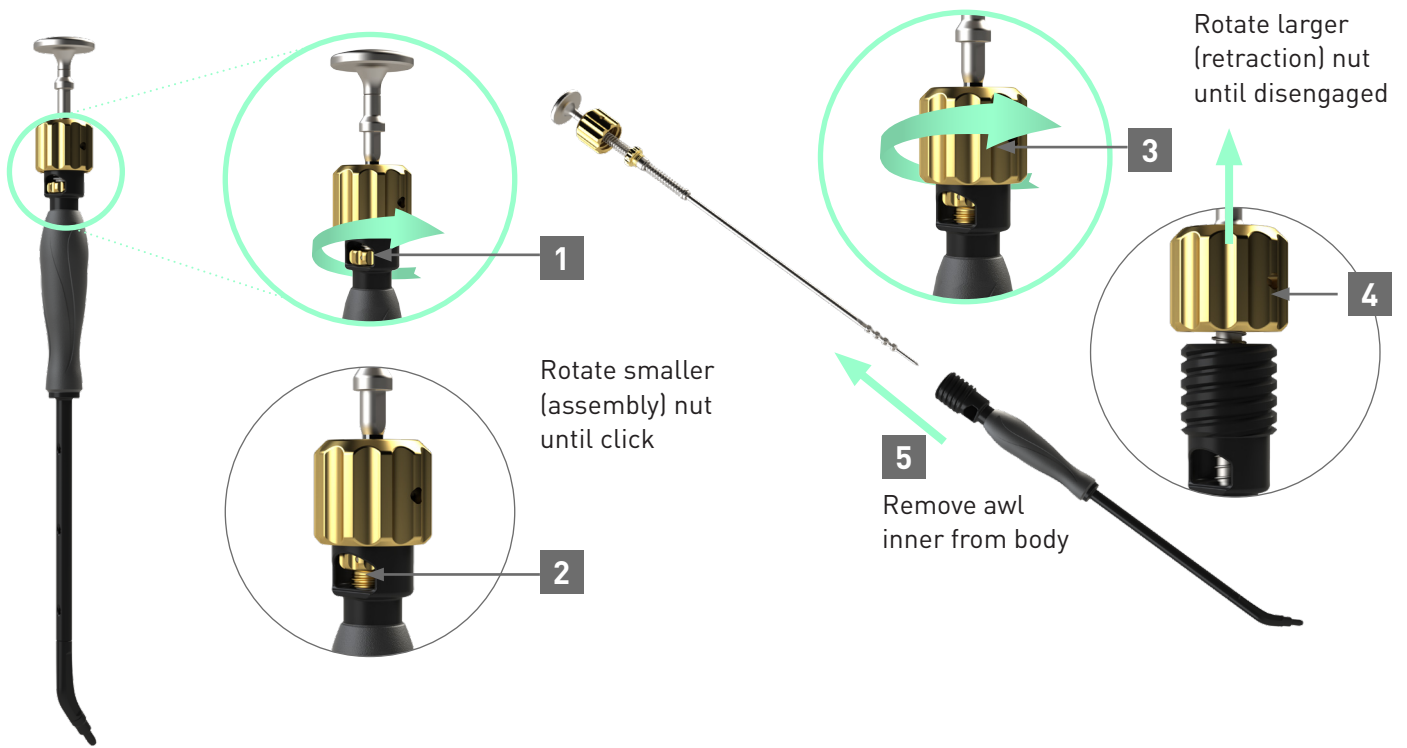
Axis-ALIF

Anterior Lumbar Interbody Fusion System

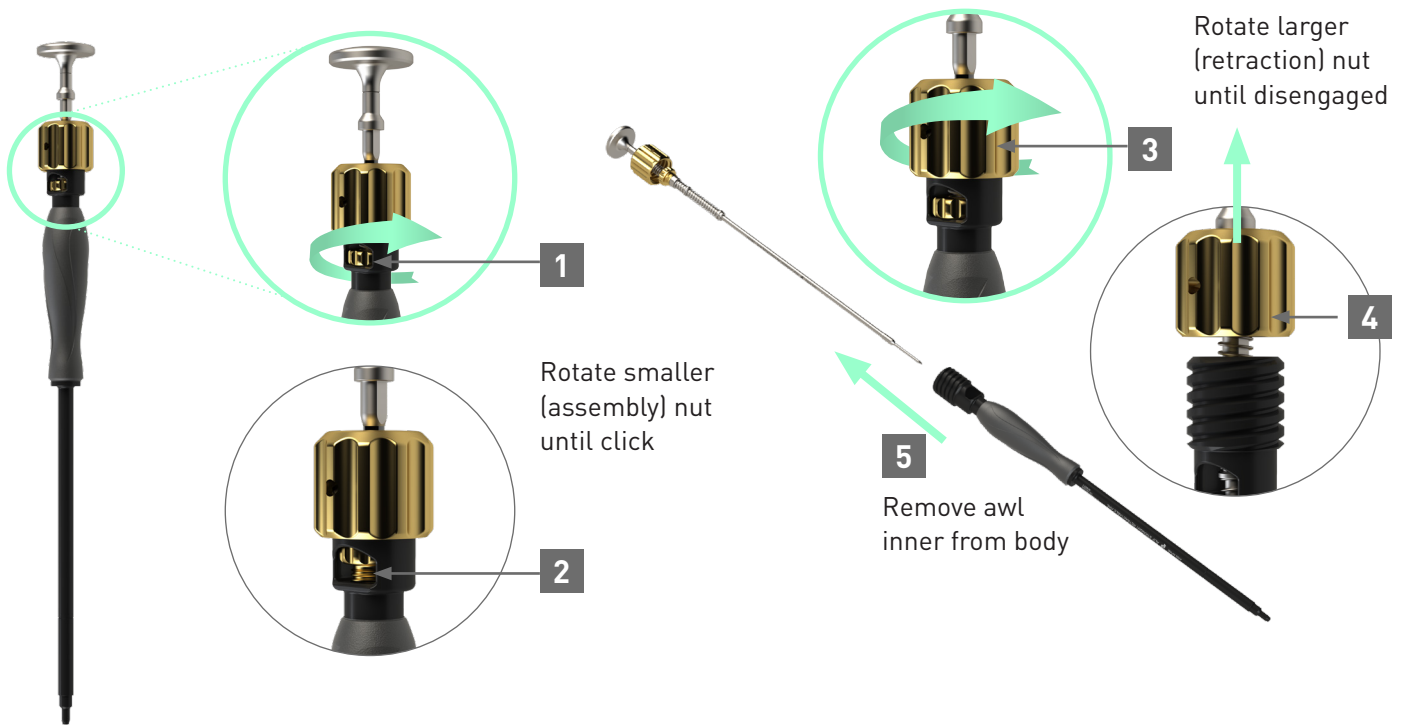
DISASSEMBLY INSTRUCTIONS



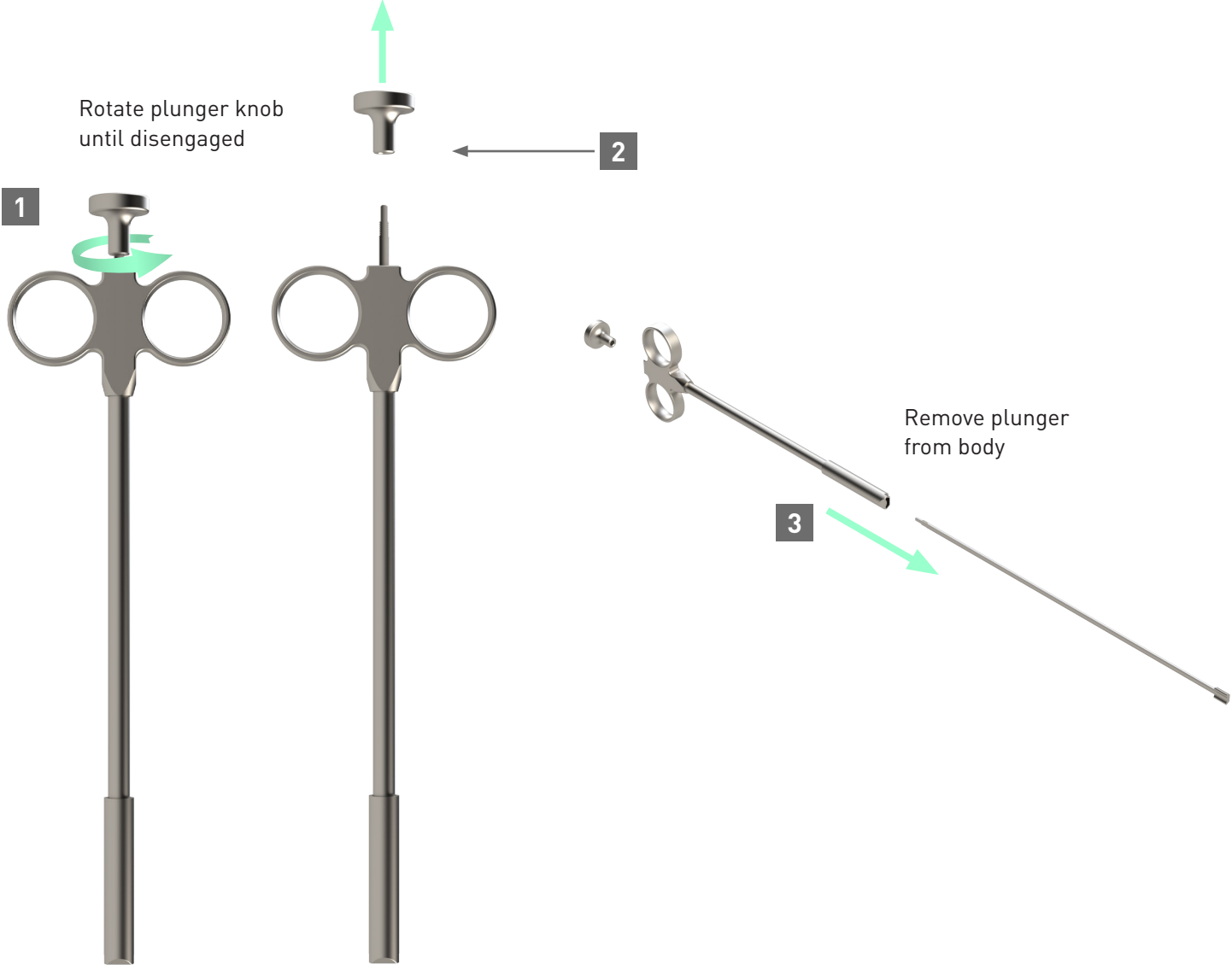
Angled Retractable Awl (AI-5025.X)



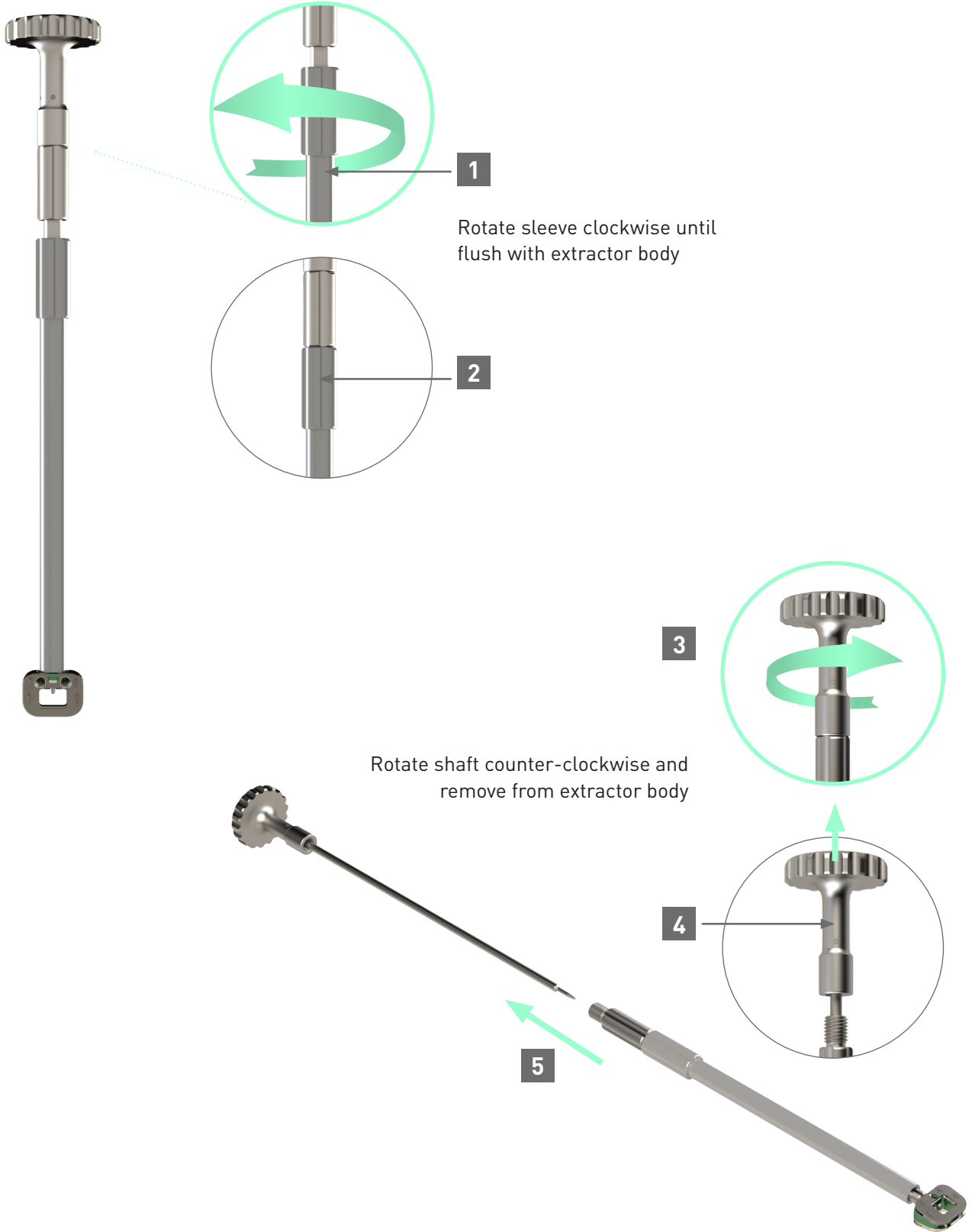
Straight Retractable Awl (AI-5027.X)

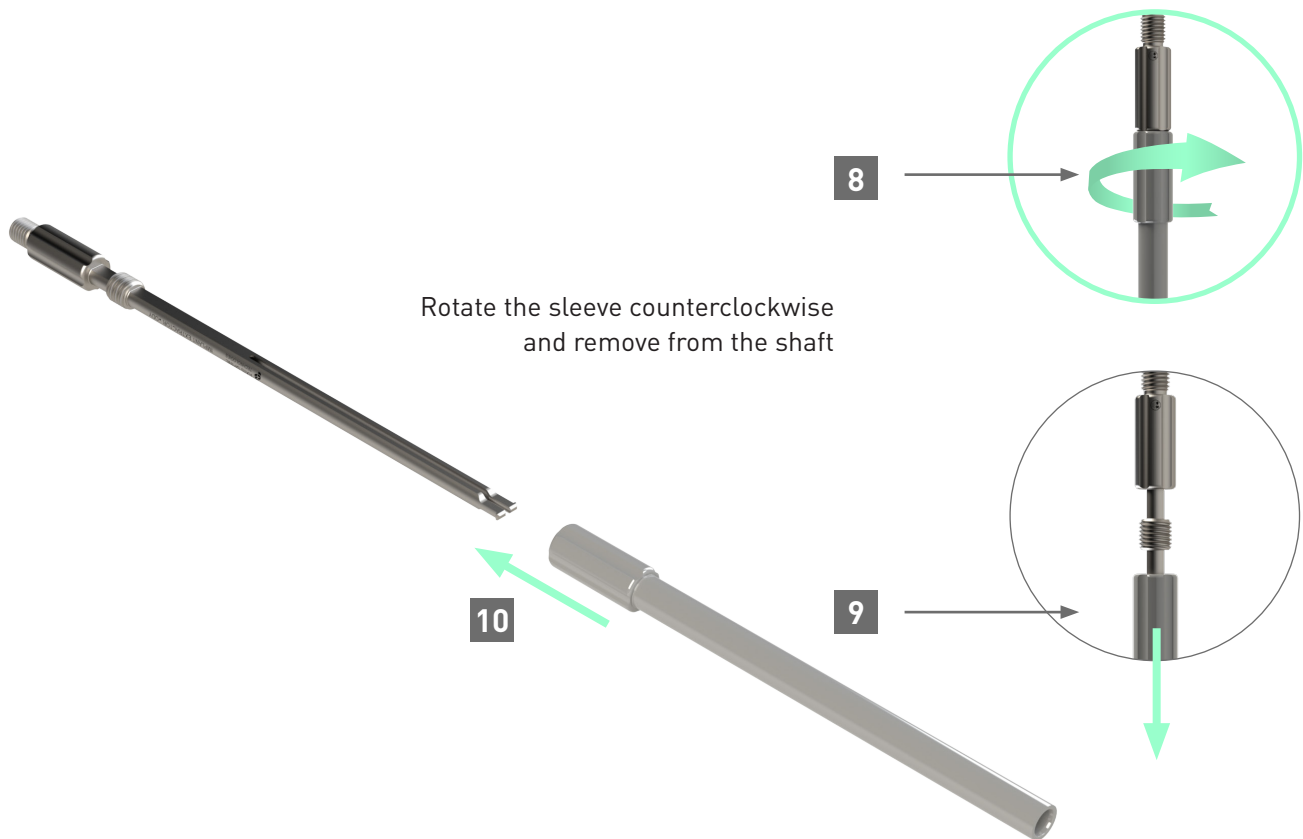
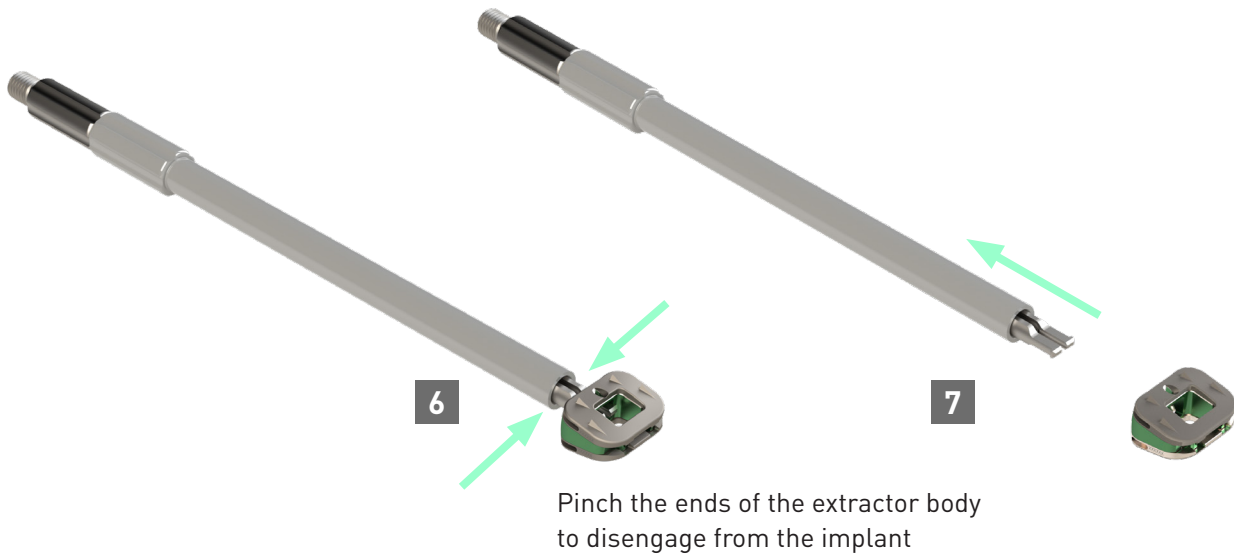


Small (AI-6010) & Medium (AI-6012) Graft Syringes



Implant Extractor Tool (A6120X00)







Serviced through:

Kuro by One Life Sciences, Inc.
7625 Golden Triangle Dr. Ste G
Eden Prairie, MN 55344
+1 (612) 234-5174

logistics@axisspinetech.com
axisspinetech.com

AA-03-0002 Rev. B

Manufactured by:

Axis Spine Technologies Ltd.
Century Offices, 2175 Century Way
Thorpe Park, Leeds, LS15 8ZB
UK

Axis Spine Technologies Design and the Axis Spine Logo
are registered trademarks of Axis Spine Technologies Ltd.

© Axis Spine Technologies Ltd. 2024.
All rights reserved.